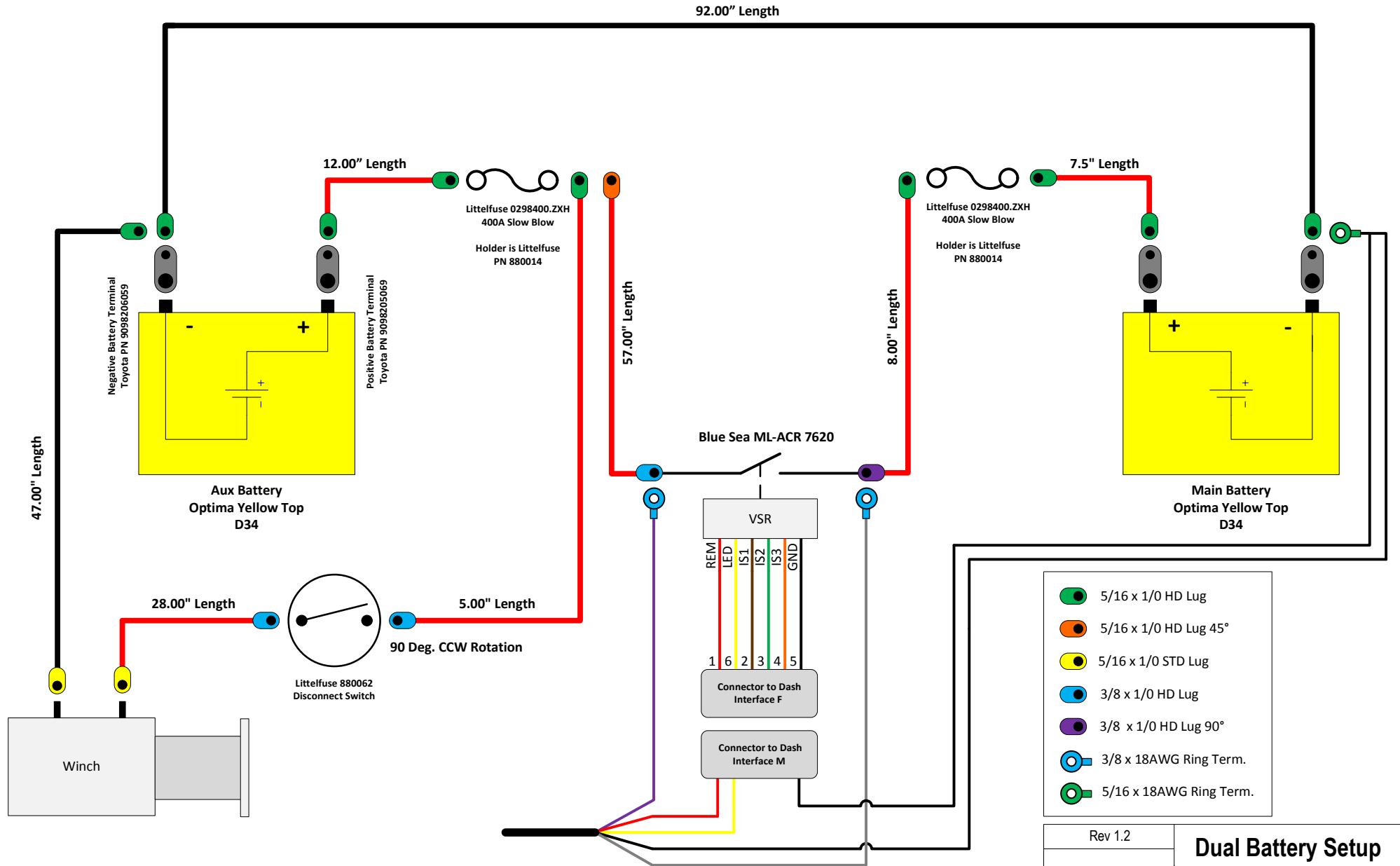


\* All cables are 1/0 SGT with crimp termination  
 All dimensions measured center to center



- 5/16 x 1/0 HD Lug
- 5/16 x 1/0 HD Lug 45°
- 5/16 x 1/0 STD Lug
- 3/8 x 1/0 HD Lug
- 3/8 x 1/0 HD Lug 90°
- 3/8 x 18AWG Ring Term.
- 5/16 x 18AWG Ring Term.

Rev 1.2	<b>Dual Battery Setup</b>	
	Drawn: L.Z.	Checked:
	Sheet 1 of 2	
	1/19/15	

Cable Callout							
Cable Num.	Cable Type	Cable Gauge	Cable Color	Cable Length	Left Lug	Right Lug	Instructions
1	SGT	1/0	Black	92"	5/16 HD	5/16 HD	Measured Center to Center
2	SGT	1/0	Black	47"	5/16 STD	5/16 HD	Measured Center to Center
3	SGT	1/0	Red	5"	3/8 HD	5/16 HD	Measured Center to Center. Rotate 5/16" lug 90° CCW, such that the back side of the 5/16"lug faces to the right with the cable flat and the 3/8" lug up. Please get length as close as possible.
4	SGT	1/0	Red	7.5"	5/16 HD	5/16 HD	Measured Center to Center
5	SGT	1/0	Red	8"	3/8 HD 90°	5/16 HD	Measured Center to Center
6	SGT	1/0	Red	12"	5/16 HD	5/16 HD	Measured Center to Center
7	SGT	1/0	Red	28"	5/16 STD	3/8 HD	Measured Center to Center
8	SGT	1/0	Red	57"	3/8 HD	5/16 HD 45°	Measured Center to Center

BOM				
Description	Part Number	Manufacturer	Distributor	Quantity
Smart Isolation Solenoid	7620 or 7622	Blue Sea Systems	Various	1
300A Battery Disconnect	880062	Littelfuse Terra Power Systems	Waytek	1
Mega AMG 500A Fuse Block	880014	Cole Hersee / Terra Power Systems	Waytek	2
400A Slow Blow AMG Fuse	0298400.ZXH	Littelfuse	Digikey	2
Positive Battery Terminal	9098205069	Toyota	Various	1
Negative Battery Terminal	9098206059	Toyota	Various	1
Terminal Boot Black	69875K97	NA	McMaster	2
Terminal Boot Red	69875K97	NA	McMaster	2
Sub Harness for Blue Sea ACR	NA	Custom	NA	1

Rev 1.2	<b>Dual Battery Setup</b>
	Drawn: L.Z.      Checked:
	Sheet 2 of 2
	1/19/15